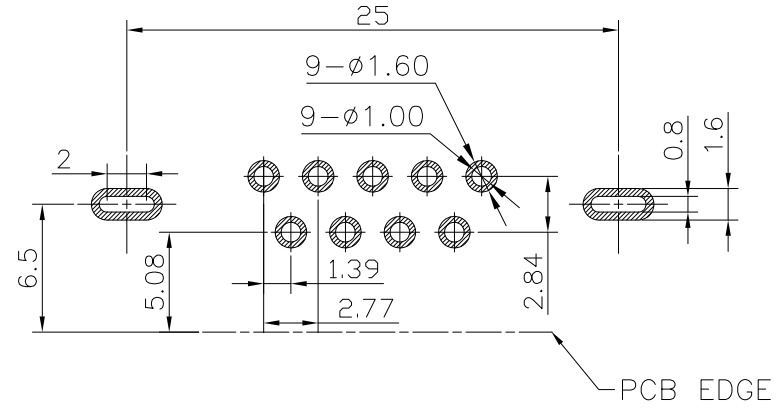
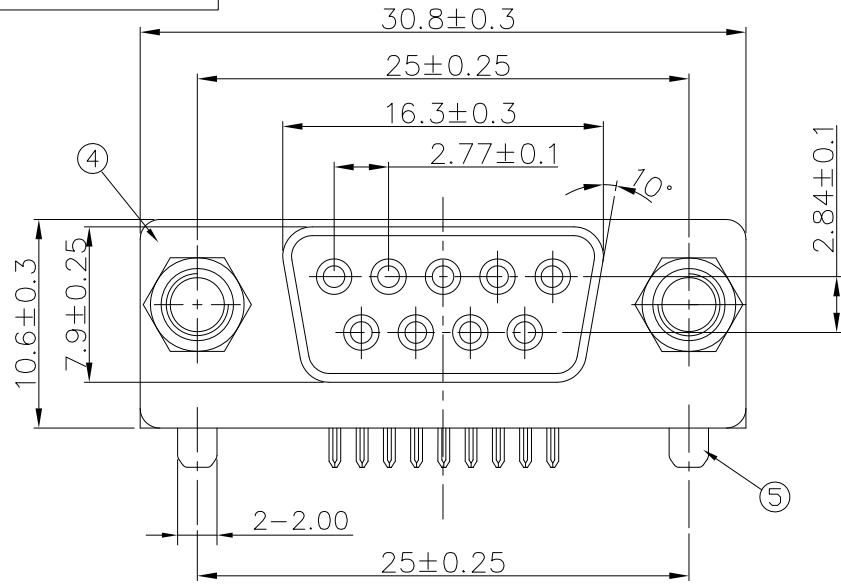
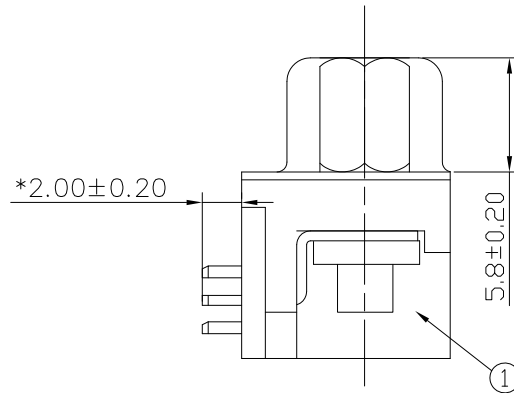
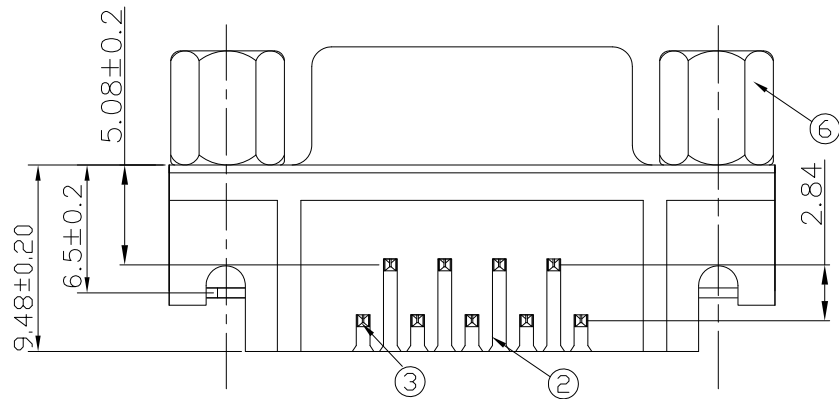


# GP Component

REV.	ECN NO.	LOCATIONS	DESCRIPTION	DATE	DESIGN
A0			Initial	2017/03/20	Phebe Su




PCB HOLES(THE TOP VIEW)  
NOTE:GENERAL TOLERANCE:±0.1mm



MATRIX PART NO:  
MDS 09 - 01 - 25  
MATRIX D-SUB Pin Number Series number  
Plating  
01:Gold Flash  
10:10u"  
30:30u"

⑥	SCREW		2	SPCC	Ni-PLATED
⑤	BRARD LOCK		2	COPPER ALLOY	Sn-PLATED
④	SHELL		1	SPCC	Ni-PLATED
③	TERMINAL		15	COPPER ALLOY	Au/Sn-PLATED
②	COVER		1	PA9T 94V-0	BLACK
①	HOUSING		1	PA9T 94V-0	BLACK
NO.	PART NAME	TER'NO.	QTY	MATERIAL	REMARK

NO	VARIETY	QTY	METERIAL	REMARK
 <b>Matrix Electronics Co.,Ltd</b>				
<b>TOLERANCE:</b> X.X ±0.35 X.XX ±0.25 X.XXX ±0.15 ANGLE: ±3°		DESIGN BY : Phebe Su CHECKED BY: Vicky Hsieh APPROVED BY1: Richard Hsieh APPROVED BY2: Richard Hsieh	DATE : 2017/03/20 DATE : 2017/03/20 DATE : 2017/03/20 DATE : 2017/03/20	PART NAME: DR 9FEMALE 5.08铆合 锁螺丝 PART NO. MDS09-01-25 MOLD NO. NA DRAW NO. SHEET NO. 1 OF 1