

GP Component

Specification

× *Electrical Characteristics :*

Current Rating:0.5A.

Withstanding Voltage:AC500V r.m.s.

Insulation Resistance:1000Megohms Minimum at DC 500V.

Contact Resistance:100Miliohms Maximum.

×*Mechanical Characteristics:*

×*Mating Cycles: 10000 Insertions.*

Environmental :

× *Operating Temperature:-40°C to +85°C.*

Material:

1.*Housing:HI-Temp plastic UL 94V-0 Rated.*

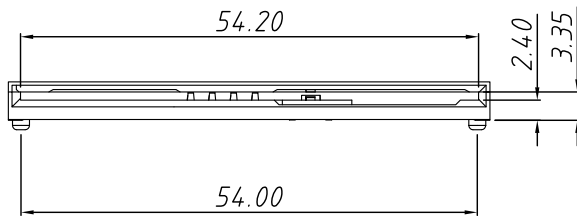
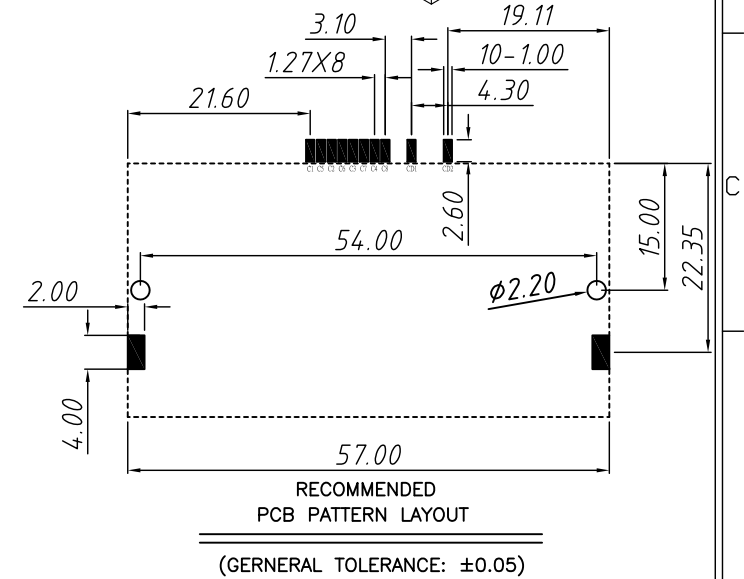
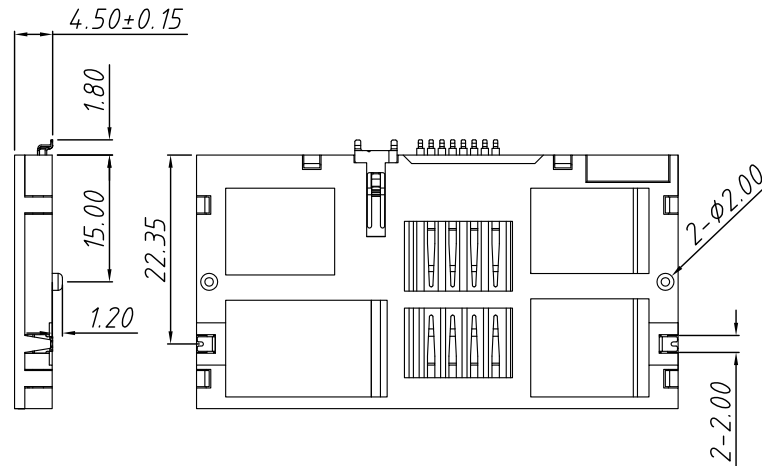
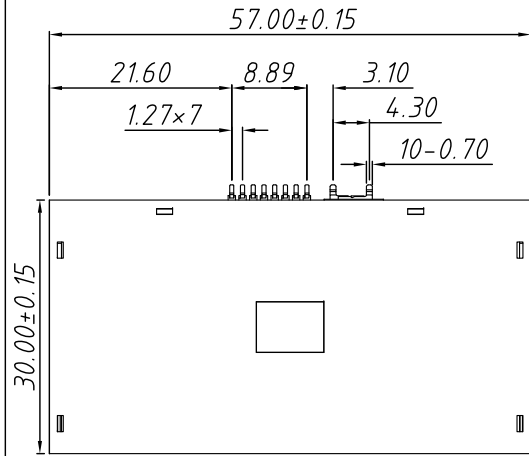
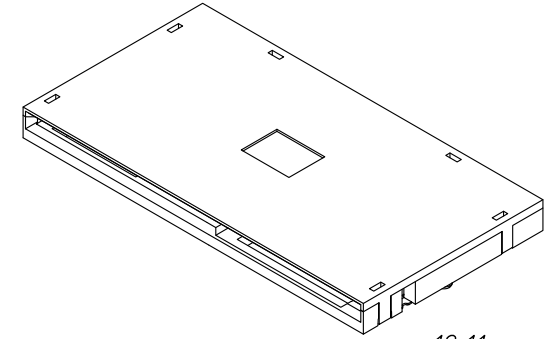
2.*Contact:Copper alloy, gold plated 3U"*

3.*Ground plate:Brass, tin plated 120U"*

Can accord with management standards for

"environment-related substances to be controlled"

REV.	ECN NO.	LOCATIONS	DESCRIPTION	DATE	DESIGN
A0			Initial	2015/07/02	Phebe Su
A1			Change	2015/08/10	Phebe Su
A2			Change	2015/08/11	Phebe Su
A3			Change	2016/03/10	Phebe Su
A4			Change	2016/11/08	Phebe Su



MATRIX PART NO:

MSC - 02 - 01 - 08 - 45 - 05 - RS
 Matrix Smart
 01: Push
 02: Non-Push
 Plating
 01:G/F
 30:30u
 RS:RoHS
 HF:Halogen Free
 Series Number
 Height
 Pin number
 06:6pin
 08:8pin

NO	VARIETY	QTY	MATERIAL	REMARK
			Matrix Electronics Co.,Ltd	
TOLERANCE:		DESIGN BY :	DATE :	PART NAME:
X.X	±0.15	Phebe Su	2016/11/08	Smart card without ground lug
X.XX	±0.100	CHECKED BY:	DATE :	PART NO.
X.XXX	±0.05	Vicky Hsieh	2016/11/08	MSC-02-01-08-45-05-RS
ANGLE: ±1°		APPROVED BY1:	DATE :	MOLD NO.
		Richard Hsieh	2016/11/08	NA
UNIT: mm [inch]		APPROVED BY2:	DATE :	DRAW NO.
SCALE:1:1	SIZE:A4	Richard Hsieh	2016/11/08	SHEET NO.
				1 OF 1