



Feature



- IEEE 802.3at/ANSI X3.263 compliant performance.
- Suitable for End-span POE applications with 720mA current capability.
- Comply with ROHS & Halogen Free requirements.
- Operating temperature range: 0°C to +70°C.
- Storage temperature range: -25°C to +85°C.

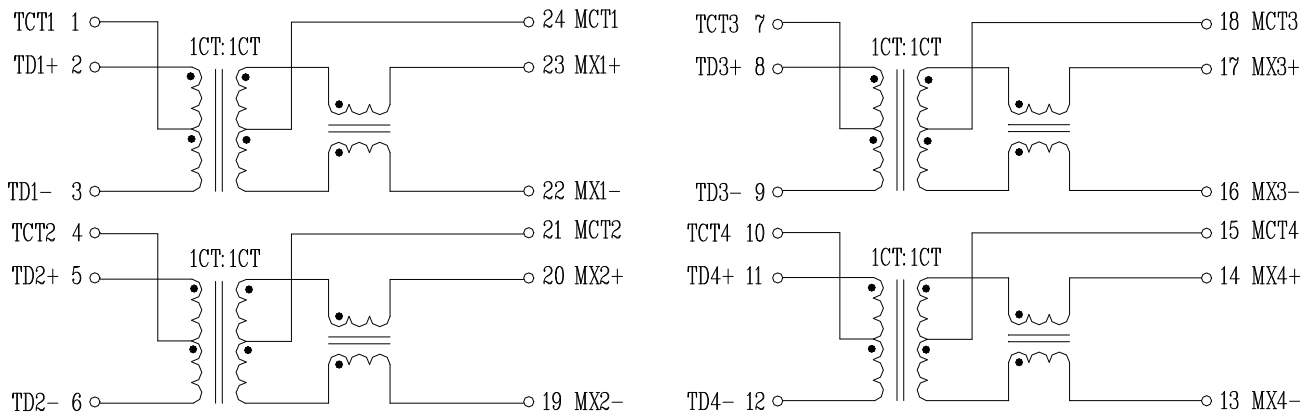
Electrical Specifications@25°C

Part Number	Tums Ratio (±5%)		OCL(uH Min) @100KHz/0.1V With 8mA DC Bias	Cross talk Attenuation (dBMin)			HI-POT (Vrms)
	TX	RX		30MHz	60MHz	100MHz	
ML24S08HF	1CT:1CT	1CT:1CT	350	-45	-40	-35	1500

Continue

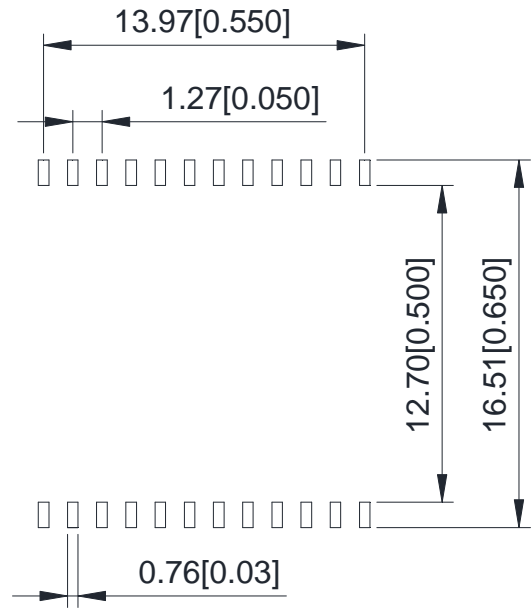
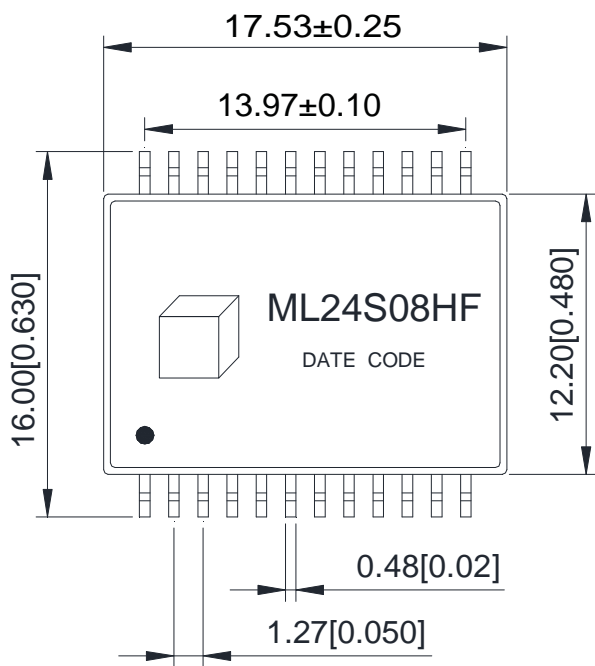
Part Number	Insertion Loss (dB Max)	Return Loss (dB Min)@Load 100Ω					DCMR (dB Min)		
		1-100MHz	1-30MHz	40MHz	50MHz	60-80MHz	100MHz	30MHz	60MHz
ML24S08HF	-1.0	-18	-14.4	-13.1	-12	-10	-43	-37	-33

Schematic

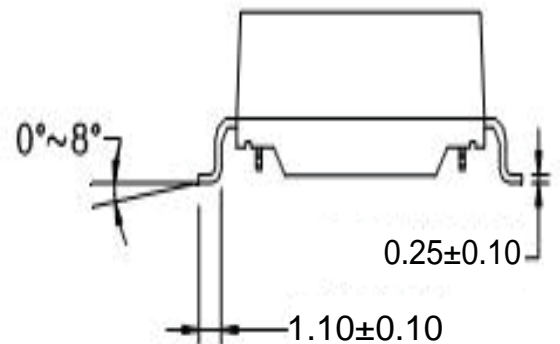
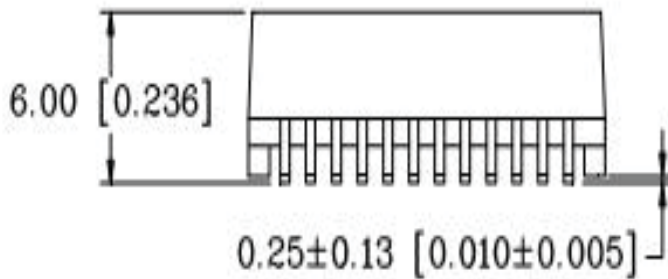




Mechanical



SUGGESTED PAD LAYOUT



Units : mm [Inches] Tolerance : XX.X0±0.25 [0.010]
 0.XX±0.05 [0.002]